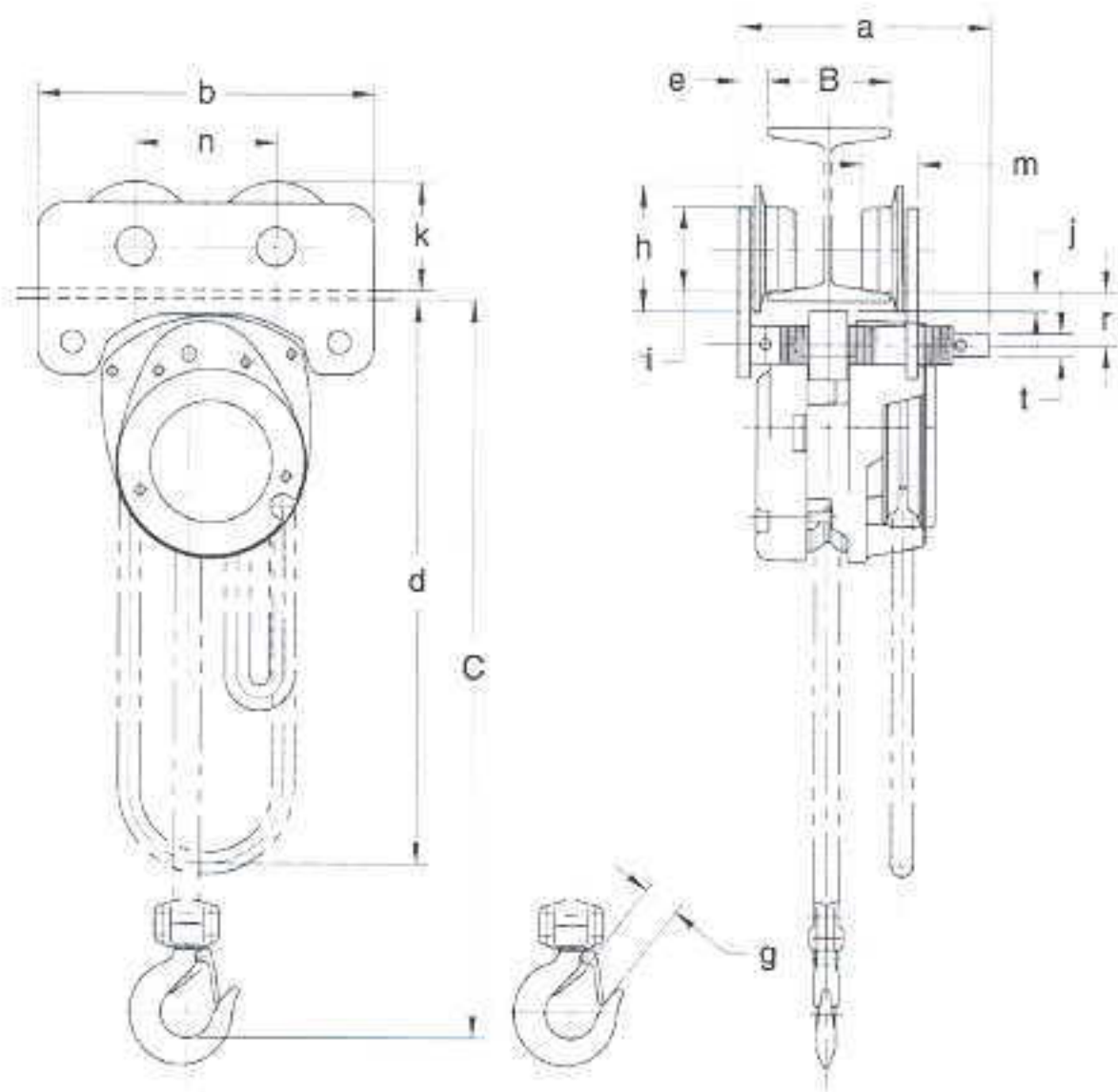
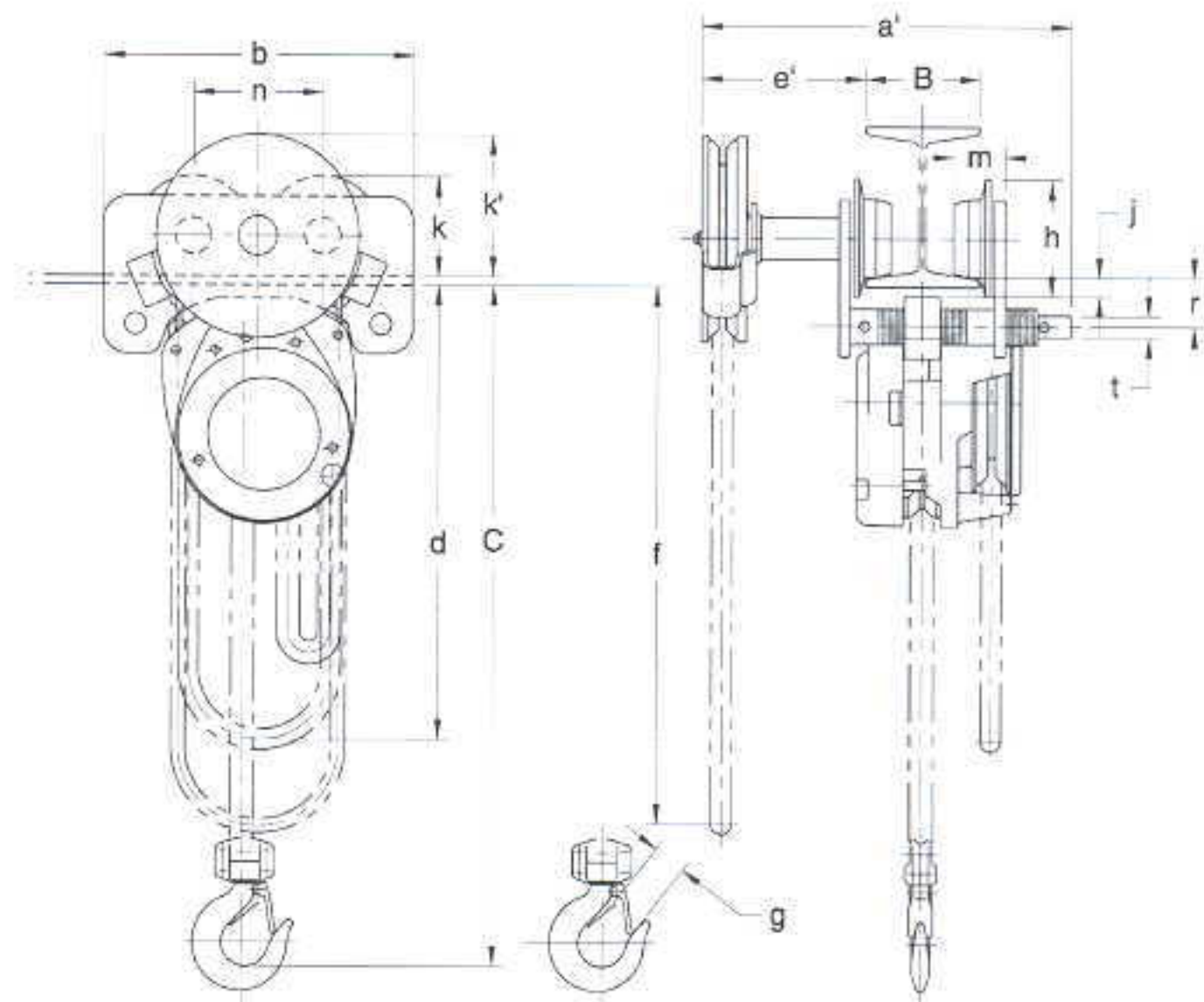


## NTH LOW HEADROOM TROLLEY HOIST — DIMENSIONS

Cap. (Tons)	a (in)	a' (in)	b (in)	d (ft)	e (in)	e' (in)	f (ft)	g (in)	h (in)	i (in)	j (in)	k (in)	k' (in)	m (in)	n (in)	r (in)	t (in)
1	8.1	12.9	10.9	10.0	1.0	5.9	10.4	1.1	4.2	2.80	0.8	3.5	4.4	1.9	4.6	1.9	0.75
2	9.3	14.0	13.8		1.2	6.0		1.4	5.0	3.35	0.9	4.2	4.7	2.3	5.4	2.3	1.00
3	9.9	14.5	15.6		1.3	5.9		1.7	5.8	3.94		4.9	5.0	2.4	6.2	2.4	1.13
5	11.2	15.8	18.3	10.6	1.5	6.2	11.3	1.8	6.7	4.65	1.0	5.6	5.1	3.0	7.0	2.9	1.63



**NTH (Push Trolley Model)**



**G-NTH (Geared Trolley Model)**

## NTH LOW HEADROOM TROLLEY HOIST — SPECIFICATIONS

Cap. (Tons)	Product Code		Head room C (in)	Std. Lift (ft)	Pull to Lift Load (lbs)	Overhaul Ratio	Min. Radius for Curve (in)	Flange Range B (in)*	Load Chain Dia. (mm) x Chain Fall Lines	Push			Geared		
	Push Trolley	Geared Trolley								Net Weight (lbs)	Shipping Weight (lbs)	Weight for Additional One Foot of Lift (lbs)	Net Weight (lbs)	Shipping Weight (lbs)	Weight for Additional One Foot of Lift (lbs)
1	NTH010	G-NTH010	12.5	10	72	31	39	2.28-4.92	6.3 x 1	62	65	1.2	73	78	1.8
2	NTH020	G-NTH020	16.5		80	63	47	3.94-5.91	6.3 x 2	92	97	1.8	103	110	2.4
3	NTH030	G-NTH030	19.0		92	81	59		7.1 x 2	125	133	2.1	136	177	2.8
5	NTH050	G-NTH050	20.3			134	79	4.92-6.89	7.1 x 3	188	200	2.9	199	240	3.5

*Please Note: Special lengths of load and hand chain available upon request.*

*\*Other beam widths available. Consult factory.*

*Weights are approximate.*