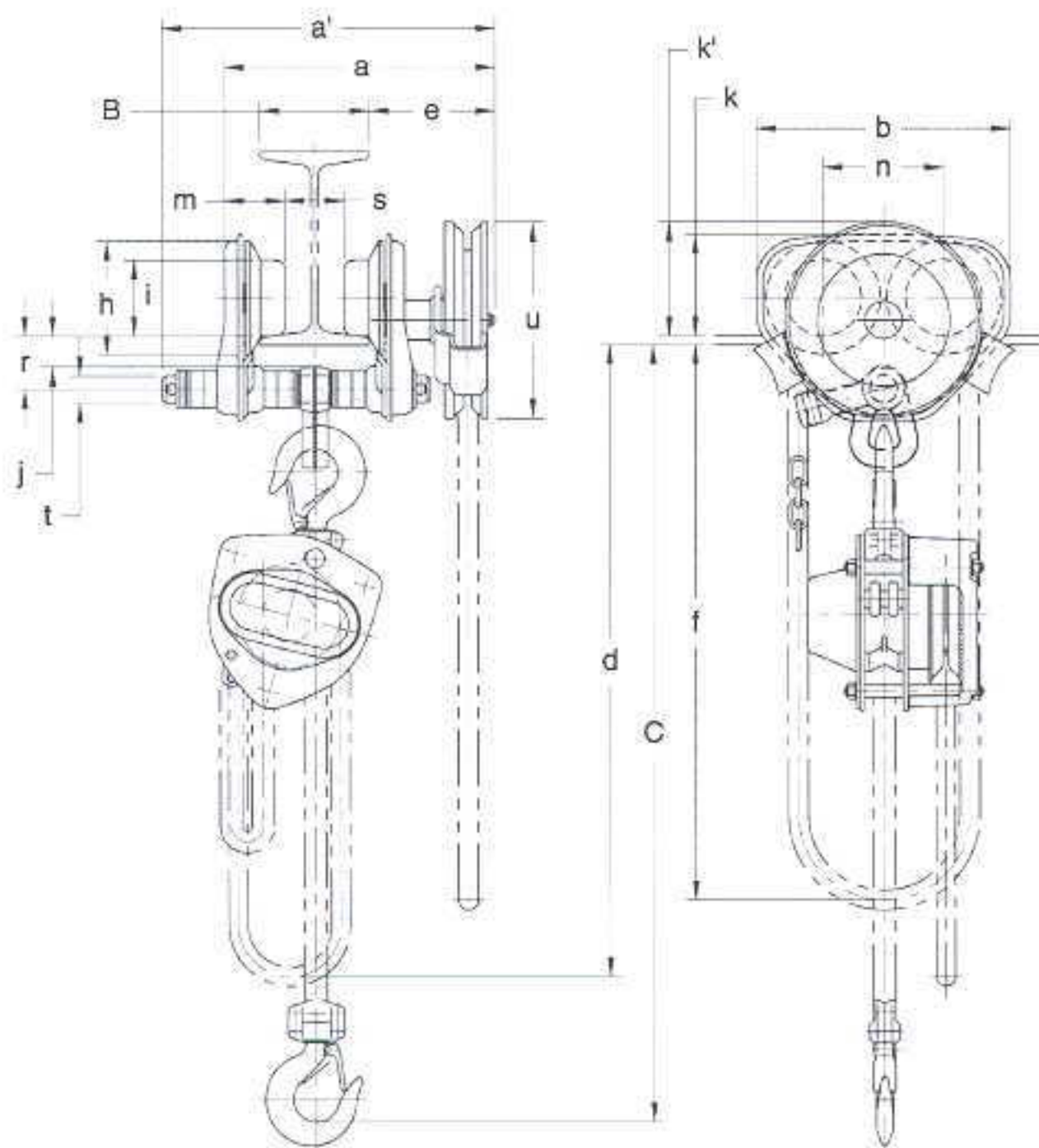


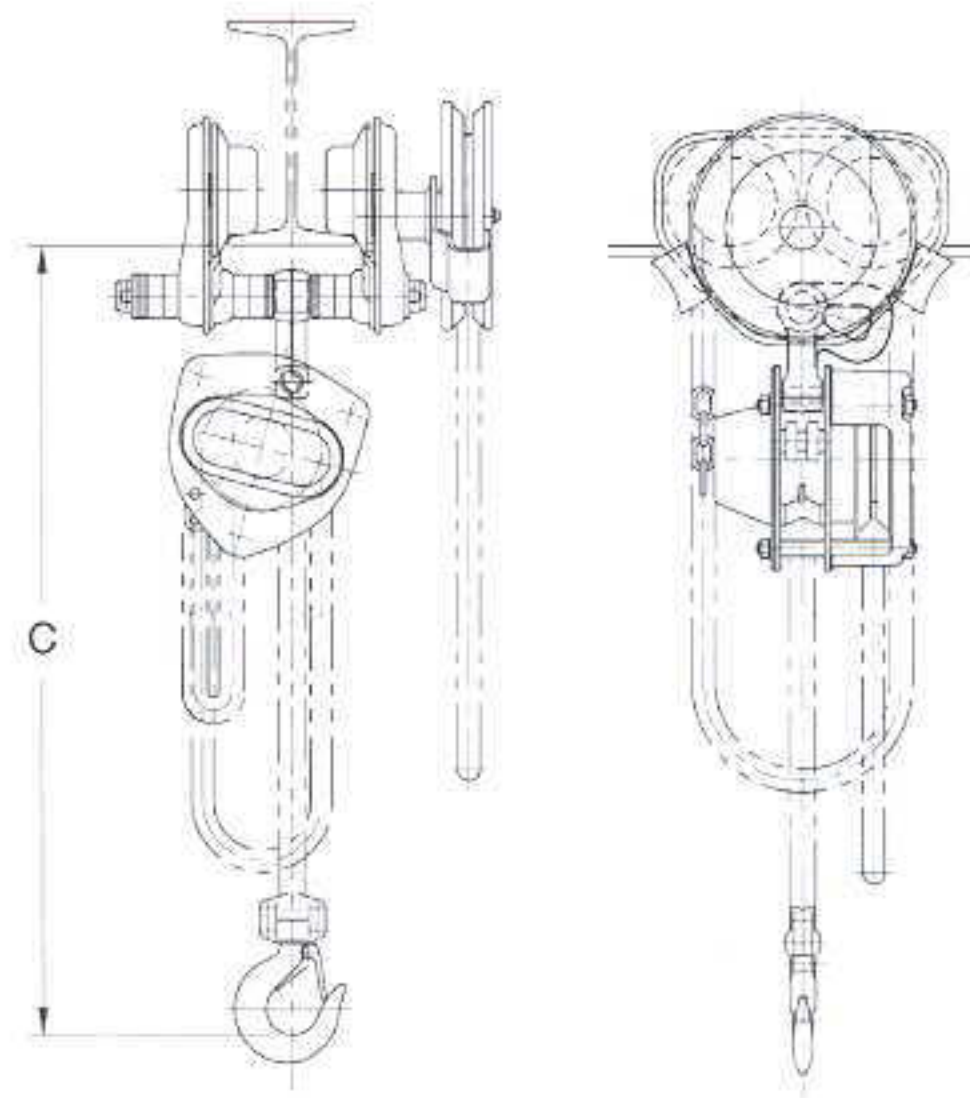
CB HAND CHAIN HOIST WITH GT GEARED TROLLEY — SPECIFICATIONS & DIMENSIONS

Cap. (Tons)	Product Code		Headroom C (in)		Min. Radius for Curve (in)	Flange Width Adjustability B (in)		a max (in)	a' (in)	b (in)	d (ft)	e (in)	f (ft)	h (in)	i (in)	j (in)	k (in)	k' (in)	m (in)	n (in)	r (in)	s (in)	t (in)	u (in)	Net Wt. (lbs)	Ship. Wt. (lbs)	Wt. for Add'l One Ft. of Lift (lbs)
			Hook	Lug		Std.	Option																				
	Hoist	Trolley																									
1/2	CB005	GTF2010	15.3	12.0	17.7	2.28 to 5.00	5.01 to 8.00 or 8.01 to 12.00	10.8	12.2	9.3	8.0	4.6	7.0	4.2	2.80	1.1	3.7	4.2	2.2	4.4	2.0	B-1.8	0.98	7.2	46	48	1.6
1	CB010		15.4																						49	51	1.8
1 1/2	CB015	GTF2020	18.5	14.4	21.7	3.23 to 6.02	6.03 to 12.00	13.7	15.2	11.0	8.0	6.1	7.0	5.0	3.35	1.4	4.4	4.3	2.8	5.2	2.4	B-1.9	1.26	7.2	89	72	2.0
2	CB020		19.4	15.0																					79	83	2.2
2 1/2	CB025	GTF2030	21.8	17.1	25.6	4.92 to 7.02	7.03 to 12.00	14.1	15.7	12.8	8.3	6.2	7.0	5.8	3.94	—	5.3	4.5	3.1	6.0	2.7	B-2.3	1.42	7.2	111	116	2.4
3	CB030		26.3	21.1																					104	111	2.8
5	CB050	GTF2050	26.9	27.4	78.7	4.92 to 7.02	7.03 to 12.00	14.8	—	13.7	10.0	6.1	8.7	6.7	4.65	—	5.7	5.2	3.2	7.0	4.6	B-2.3	1.73	7.2	188	197	3.7
8	CB080	GT080	34.5	—	118.1	—	—	17.4	20.6	19.4	10.6	—	—	—	—	—	—	—	4.7	7.7	6.0	B-3.0	2.76	7.2	342	391	4.9
10	CB100	GT100	34.2	—	—	5.91 to 8.66	8.67 to 12.00	—	—	—	14.6	7.0	12.7	7.3	6.10	—	6.7	6.5	—	—	—	—	—	7.2	404	464	6.1
15	CB150	GT150	45.3	—	∞	—	—	22.7	21.3	39.8	16.3	—	14.3	—	—	—	—	—	8.9	28.2	8.0	B-3.6	3.15	7.2	879	983	9.1
20	CB200	GT200	51.6	—	∞	—	—	—	—	—	16.6	—	—	—	—	—	—	—	—	—	—	—	7.2	1057	1293	12.2	

8-foot standard lift for 1/2-8 Ton models; 12-foot standard lift for 10 Ton and above
 Please Note: Special lengths of load and hand chain available upon request.
 Weights are approximate.



**CB with GT
Hook-to-lug Mount**

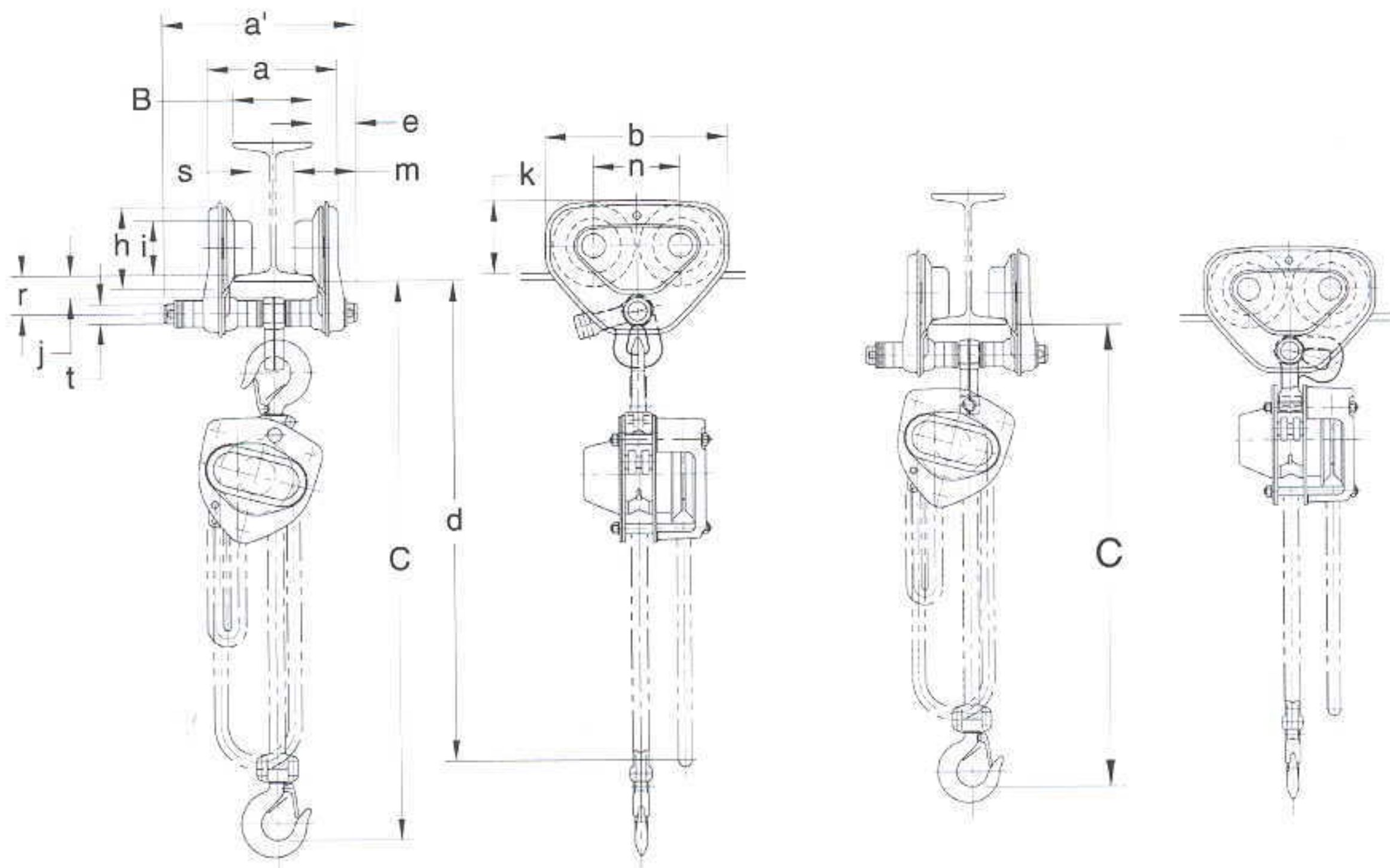


**CB with GT
Lug Mount**

CB HAND CHAIN HOIST WITH PT PUSH TROLLEY — SPECIFICATIONS & DIMENSIONS

Cap. (Tons)	Product Code		Headroom C (in)		Min. Radius for Curve (in)	Flange Width Adjustability B (in)		a max (in)	a' (in)	b (in)	d (ft)	e (in)	h (in)	i (in)	j (in)	k (in)	m (in)	n (in)	r (in)	s (in)	t (in)	Net Wt. (lbs)	Ship. Wt. (lbs)	Wt. for Add'l One Ft. of Lift (lbs)
			Hook	Lug		Std.	Option																	
	Hoist	Trolley																						
1/2	CB005	PTF2005	14.5	11.6	13.8	2.28 to 4.00	4.01 to 8.00 or 8.01 to 12.00	6.8	8.0	7.2		1.8	3.2	2.36	0.8	3.0	2.7	3.3	1.5	B-1.8	0.87	31	32	1.0
1	CB010	PTF2010	15.4	12.0	17.7	2.28 to 5.00	5.01 to 8.00 or 8.01 to 12.00	8.5	9.8	9.3	8.0	2.2	4.2	2.80	1.1	3.7	3.1	4.4	2.0	B-1.9	0.98	40	42	1.2
1 1/2	CB015	PTF2020	18.5	14.4	21.7	3.23 to 6.02	6.03 to 12.00	10.4	11.8	11.0	8.0	2.7	5.0	3.35	1.4	4.4	3.8	5.2	2.4	B-2.3	1.26	61	62	1.4
2	CB020		19.4	15.0																		70	73	1.6
2 1/2	CB025	PTF2030	21.8	17.1	25.6	3.23 to 6.02	6.03 to 12.00	11.0	12.6	12.8	8.3	3.1	5.8	3.94	1.4	5.3	4.3	6.0	2.7	B-2.3	1.42	102	106	1.8
3	CB030		26.3	21.1																		95	101	2.1
5	CB050	PTF2050	26.9	27.2	78.7	4.92 to 7.02	7.03 to 12.00	10.7	11.7	13.7	10.0	2.1	5.7	4.65		5.7	3.6	7.0	4.6	B-3.0	1.73	180	187	3.0
8	CB080	PT080	34.5	—	118.1	5.50 to 8.66	8.67 to 12.00	14.4	17.6	19.4	10.6	4.1	7.3	6.10		6.7	5.9	7.7	6.0	B-3.6	2.76	336	384	4.2
10	CB100	PT100	34.2	—	118.1	5.50 to 8.66	8.67 to 12.00	14.4	17.6	19.4	14.6	4.1	7.3	6.10		6.7	5.9	7.7	6.0	B-3.6	2.76	397	457	5.5

8-foot standard lift for 1/2-8 Ton models; 12-foot standard lift for 10 Ton.
 Please Note: Special lengths of load and hand chain available upon request.
 Weights are approximate.



**CB with PT
Hook-to-lug Mount**

**CB with PT
Lug Mount**

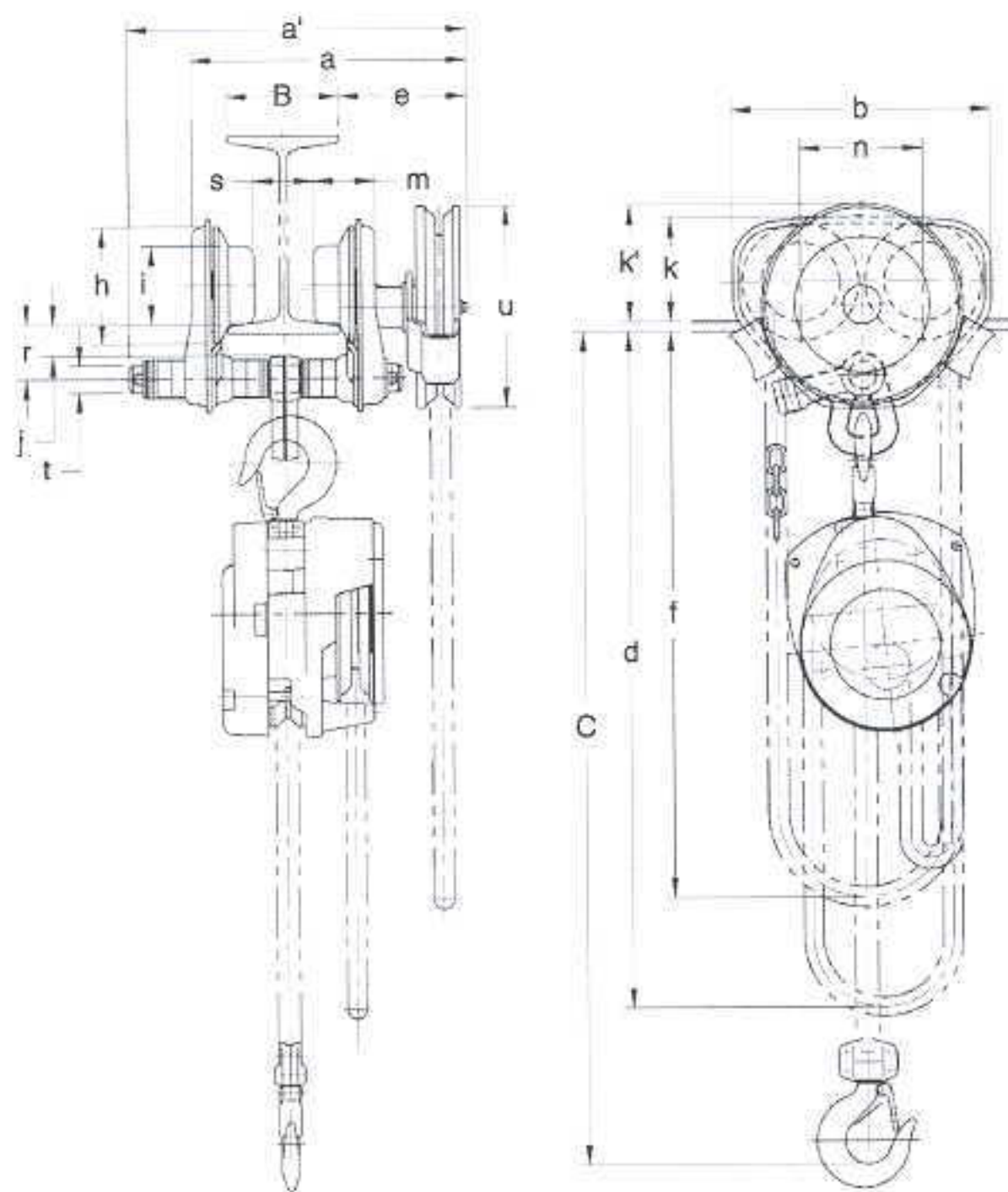
CF HAND CHAIN HOIST WITH GT GEARED TROLLEY — SPECIFICATIONS & DIMENSIONS

Cap. (Tons)	Product Code		Head room C (in)	Min. Radius for Curve (in)	Flange Width Adjustability B (in)		a max (in)	a' (in)	b (in)	d (ft)	e (in)	f (ft)	h (in)	i (in)	j (in)	k (in)	k' (in)	m (in)	n (in)	r (in)	s (in)	t (in)	u (in)	Net Wt. (lbs)	Ship. Wt. (lbs)	Wt. for Add'l One Ft. of Lift (lbs)
	Hoist	Trolley			Std.	Option																				
1/2	CF005	GTF2010	16.6	17.7	2.28 to 5.00	5.01 to 8.00 or 8.01 to 12.00	10.8	12.2	9.3	4.6	9.0	4.2	2.80	1.1	3.7	4.2	2.2	4.4	2.0	B-1.9	0.98	7.2	48	51	1.6	
1	CF010		18.3																				53	56	1.8	
1 1/2	CF015	GTF2020	22.0	21.7	3.23 to 6.02	6.03 to 12.00	13.7	15.2	11.0	6.1	9.0	5.0	3.35	1.4	4.4	4.3	2.8	5.2	2.4	B-2.3	1.26	7.2	77	81	2.0	
2	CF020		24.8																				84	88	2.4	
3	CF030	GTF2030	29.5	25.6			14.1		12.8	10.6	6.2	5.8	3.94		5.3	4.5	3.1	6.0	2.7		1.42		117	124	2.8	
5	CF050	GTF2050	27.7	78.7	4.92 to 7.02	7.03 to 12.00	14.8	15.7	13.7	12.0	6.1	10.7	5.7	4.65	—	5.7	5.2	3.2	7.0	4.6	B-3.0	1.73		186	194	3.5

10-foot standard lift for all models.

Please Note: Special lengths of load and hand chain available upon request.

Weights are approximate.



CF with GT

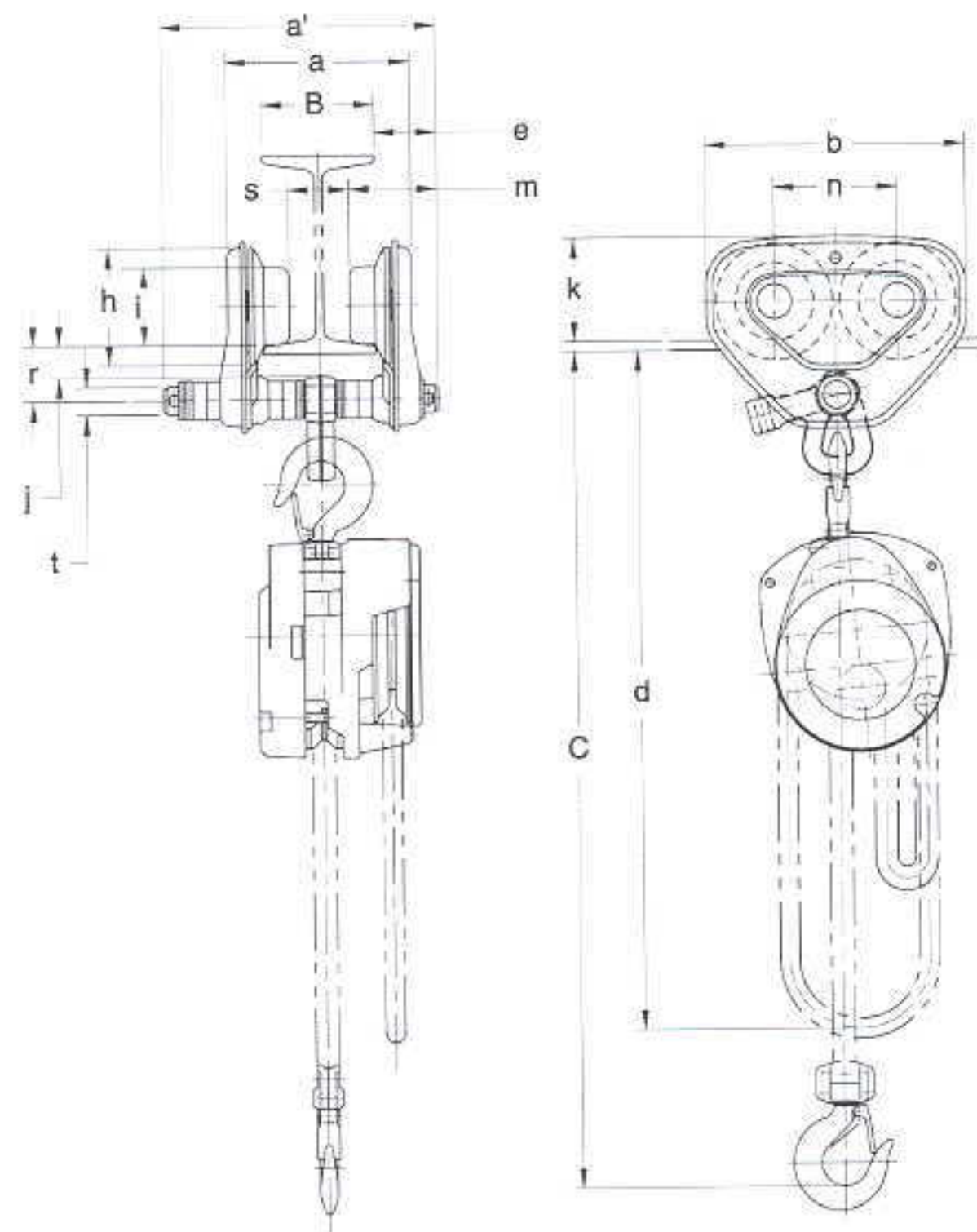
CF HAND CHAIN HOIST WITH PT PUSH TROLLEY — SPECIFICATIONS & DIMENSIONS

Cap. (Tons)	Product Code		Head room C (in)	Min. Radius for Curve (in)	Flange Width Adjustability B (in)		a max (in)	a' (in)	b (in)	d (ft)	e (in)	h (in)	i (in)	j (in)	k (in)	m (in)	n (in)	r (in)	s (in)	t (in)	Net Wt. (lbs)	Ship. Wt. (lbs)	Wt. for Add'l One Ft. of Lift (lbs)
	Hoist	Trolley			Std.	Option																	
½	CF005	PTF2005	16.1	13.8	2.28 to 4.00	4.01 to 8.00 or 8.01 to 12.00	6.8	8.0	7.2	10.3	1.8	3.2	2.36	0.8	3.0	2.7	3.3	1.5	B-1.8	0.87	33	35	1.0
1	CF010	PTF2010	18.3	17.7	2.28 to 5.00	5.01 to 8.00 or 8.01 to 12.00	8.5	9.8	9.3		2.2	4.2	2.80	1.1	3.7	3.1	4.4	2.0	B-1.9	0.98	44	47	1.2
1½	CF015	PTF2020	22.0	21.7	3.23 to 6.02	6.03 to 12.00	10.4	11.8	11.0		2.7	5.0	3.35	1.4	4.4	3.8	5.2	2.4	B-2.3	1.26	69	72	1.4
2	CF020		24.8				11.0	12.6	12.8	10.6	3.1	5.8	3.94		5.3	4.3	6.0	2.7		1.42	108	114	2.1
3	CF030	PTF2030	29.5	25.6	4.92 to 7.02	7.03 to 12.00	11.0	12.6	12.8	10.6	3.1	5.8	3.94	—	5.3	4.3	6.0	2.7	B-3.0	1.73	177	184	2.9
5	CF050	PTF2050	27.7	78.7			10.7	11.7	13.7	12.0	2.1	5.7	4.65		5.7	3.6	7.0	4.6		1.73	177	184	2.9

10-foot standard lift for all models.

Please Note: Special lengths of load and hand chain available upon request.

Weights are approximate.



CF with PT