

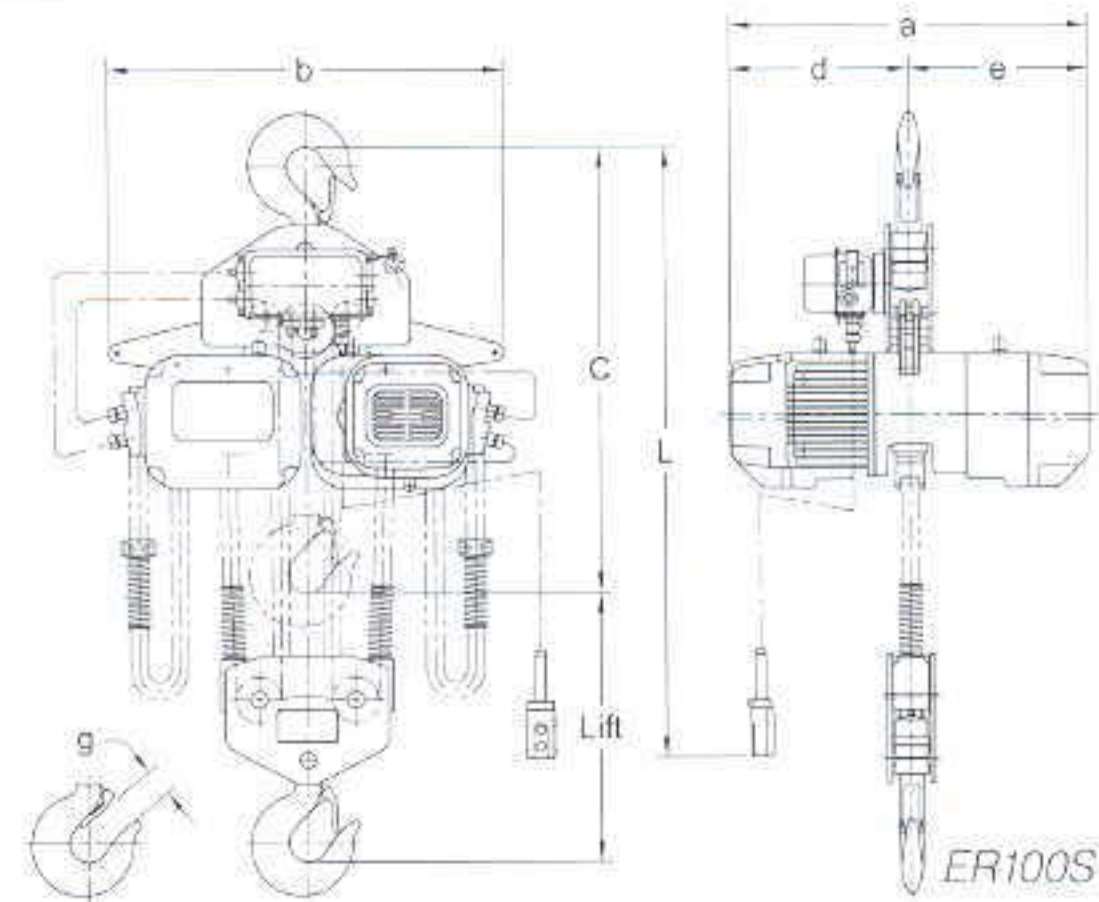
SINGLE SPEED—SPECIFICATIONS

Cap. (Tons)	Product Code	Std. Lift (ft)	Push Button Cord L (ft)	Lifting Speed (ft/min)	Lifting Motor 3 Phase 60 Hz			Load Chain Dia. (mm) x Chain Fall Lines	Net Weight (lbs)	Weight for Additional One Foot of Lift (lbs)
					Output (Hp)	Rated Current (amps)				
						@208-230V	@460V			
8	ER080S*	10	8.7	8	4.7	18.3	9.2	11.2 x 3	439	5.9
10	ER100L		9.2	6	4.7	18.3	9.2	11.2 x 4	597	8.1
10	ER100L-LG		8.7	6	4.7	18.3	9.2	11.2 x 4	496	8.1
10	ER100S		9.2	12	4.7 x 2	18.3 x 2	9.2 x 2	11.2 x 4	683	8.1
15	ER150S		10.5	8	4.7 x 2	18.3 x 2	9.2 x 2	11.2 x 6	897	12.1
20	ER200S		10.5	6	4.7 x 2	18.3 x 2	9.2 x 2	11.2 x 8	1065	16.1

*Available lug mount only. Push button cord dimension (L) is to center of lug hole.

SINGLE SPEED—DIMENSIONS

Cap. (Tons)	Product Code	Headroom C (in)	a (in)	b (in)	d (in)	e (in)	g (in)	h (in)	i (in)
8	ER080S	42.0	30.9	23.8	15.5	15.5	2.4	11.3	7.5
10	ER100L	52.6	30.9	39.4	15.5	15.5	2.4	14.0	20.4
10	ER100L-LG	39.7	30.9	28.0	15.5	15.5	2.4	14.0	8.9
10	ER100S	52.6	30.9	34.2	15.5	15.5	2.4	—	—
15	ER150S	60.6	30.9	41.3	15.5	15.5	3.1	—	—
20	ER200S	65.0	30.9	49.1	15.5	15.5	3.4	—	—



DUAL SPEED—SPECIFICATIONS

Cap. (Tons)	Product Code	Std. Lift (ft)	Push Button Cord L (ft)	Lifting Speed (ft/min)	Lifting Motor 3 Phase 60 Hz			Load Chain Dia. (mm) x Chain Fall Lines	Net Weight (lbs)	Weight for Additional One Foot of Lift (lbs)
					Output (Hp)	Rated Current (amps)				
						@208-230V	@460V			
8	ER080SD*	10	8.7	8/3	4.7/1.6	19.6/9.4	9.8/4.7	11.2 x 3	485	5.9
10	ER100LD		9.2	6/2	4.7/1.6	19.6/9.4	9.8/4.7	11.2 x 4	642	8.1
10	ER100LD-LG		8.7	6/2	4.7/1.6	19.6/9.4	9.8/4.7	11.2 x 4	542	8.1
10	ER100SD		9.2	12/4	4.7/1.6 x 2	19.6/9.4 x 2	9.8/4.7 x 2	11.2 x 4	772	8.1
15	ER150SD		10.5	8/3	4.7/1.6 x 2	19.6/9.4 x 2	9.8/4.7 x 2	11.2 x 6	985	12.1
20	ER200SD		10.5	6/2	4.7/1.6 x 2	19.6/9.4 x 2	9.8/4.7 x 2	11.2 x 8	1153	16.1

*Available lug mount only. Push button cord dimension (L) is to center of lug hole.

DUAL SPEED—DIMENSIONS

Cap. (Tons)	Product Code	Headroom C (in)	a (in)	b (in)	d (in)	e (in)	g (in)	h (in)	i (in)
8	ER080SD	42.0	32.2	23.8	15.5	16.8	2.4	11.3	7.5
10	ER100LD	52.6	32.2	39.4	15.5	16.8	2.4	14.0	20.4
10	ER100LD-LG	39.7	32.2	28.0	15.5	16.8	2.4	14.0	8.9
10	ER100SD	52.6	33.5	34.2	16.8	16.8	2.4	—	—
15	ER150SD	60.6	33.5	41.3	16.8	16.8	3.1	—	—
20	ER200SD	65.0	33.5	49.1	16.8	16.8	3.4	—	—

